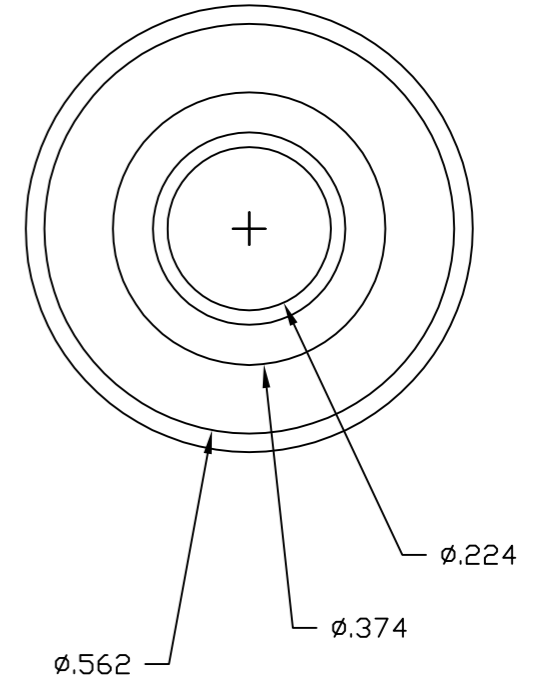
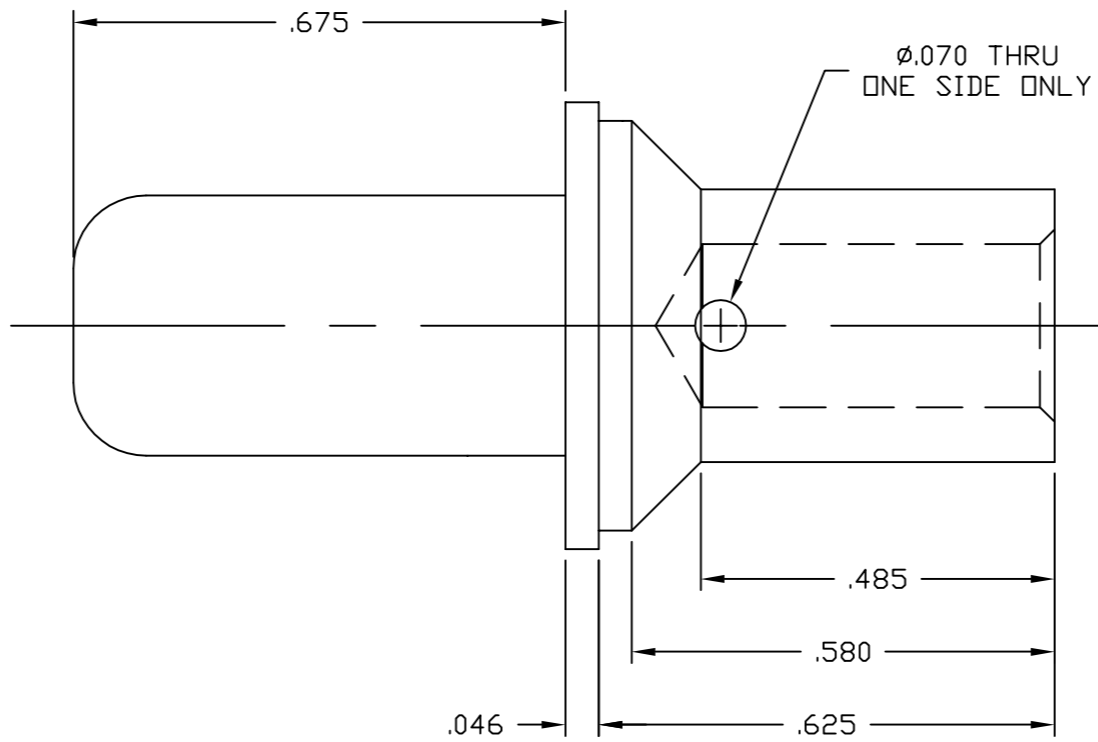
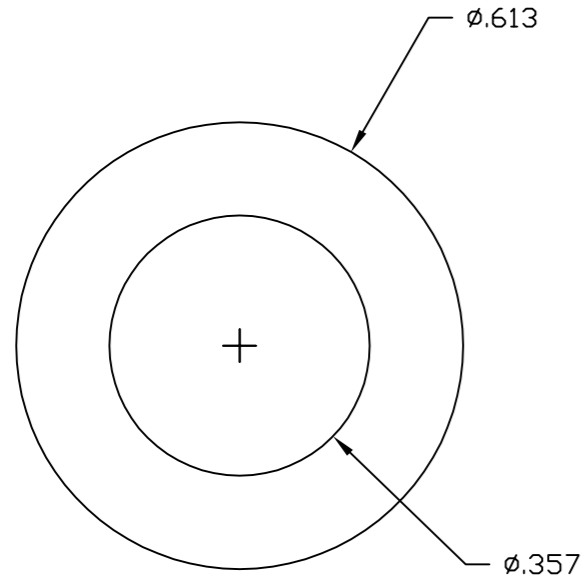


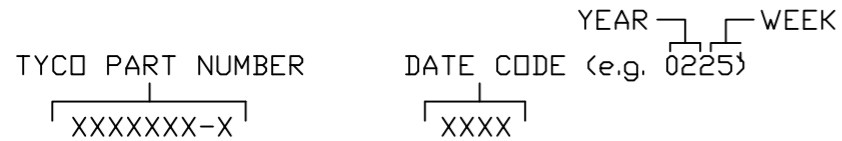
This drawing involves proprietary design rights of Tyco Electronics Corporation, and all design, manufacture, reproduction, use and sale rights regarding the same are expressly reserved. It is submitted for a specific purpose and the recipient by accepting this drawing, assumes custody and control and agrees to take reasonable precautions; (a) that this drawing will not be copied and reproduced, in whole or in part, or its contents revealed in any manner, or to any person except to meet the purpose for which it was delivered and (b) that any special features peculiar to this design will not be incorporated in other projects without the expressed written permission of Tyco Electronics Corporation.

REVISIONS			
EC	REV	DESCRIPTION	DATE
CPR	A	NEW RELEASE	10/19/05



5. REFERENCE TYCO PN 1766272-1.

4. ITEMS PROVIDED TO THIS SPECIFICATION TO BE PERMANENTLY IDENTIFIED PER THE FOLLOWING IDENTIFIER:



3. FINISH:
PIN CONTACT: SILVER PLATED

2. MATERIAL:
CONTACT: TELLURIUM COPPER ALLOY.

1. PART NUMBER CHANGES AND/OR DESIGN CHANGES AFFECTING ITEM INTERCHANGEABILITY REQUIRE PRIOR ELCON APPROVAL AND AUTHORIZATION BY REVISION TO THIS DRAWING.

NOTES: UNLESS OTHERWISE SPECIFIED

INCH OR INCH (MM) THIRD ANGLE PROJECTION UNLESS OTHERWISE SPECIFIED DIMENSIONS ARE IN INCHES (METRIC) TOLERANCES ANGLES $\pm .5^\circ$ DECIMALS .XXX $\pm .010$ (.25) .XX $\pm .02$ (.3)	DRAWN M. ALIM	DATE 10/19/05	 Tyco Electronics Corporation Menlo Park, Ca 94025 	
	CHECKED	TITLE CONTACT, PIN, SIZE #0 WITH SIZE #6 AWG CRIMP BARREL PN 1766272-1		
	APPROVED	APPROVED D. CHAU 10/19/05	SIZE B	DWG NUMBER = 1766272
	DCA APPROVED M. ALIM 10/19/05	ACAD FILE NUMBER C1766272A.DWG	DWG SCALE 4=1	REV. A

SH 1 OF 1